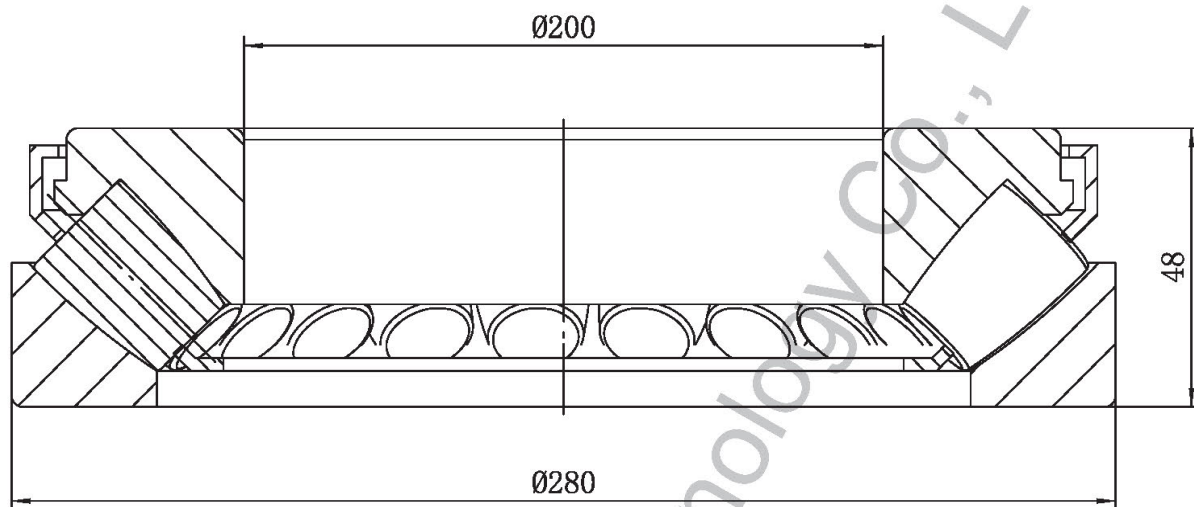


29240E



- 1 rated load: Cr= 550 KN ; Cor= 2410 KN ;
- 2 Heat treatment according to the current standards

Remark:

1. Luoyang JCB Bearing Technology Co., Ltd is a technical Inc, specialize in designing and manufacturing thrust bearing, we can design and manufacture all kinds of thrust bearing according to client's requirement.
2. This drawing is reference for user, if you need formal drawing, please contact with us sales@jcb-bearing.com, the official drawing will be submitted after order confirmation.



07	cage		STEEL		
04	roller		steel GCr15-GB/T18254		
02	shaft washer		steel GCr15SiMn-GB/T18254		
01	house washer		steel GCr15SiMn-GB/T18254		Weight (kg)
serial	Name	Qty	Material	9.08	
				<p style="text-align: center;">29240E</p> <p>Add: No.3 Lianmeng road, Luoyang, Henan, China. Postal: 471003 Website: www.jcb-bearing.com Phone: +86-379-68611678 www.sphericalrollerthrustbearing.com Fax: +86-379-68611679 om E-mail: sales@jcb-bearing.com</p>	
	Thrust spherical roller bearing			Luoyang JCB Bearing Technology Co., Ltd	